

Invacare® Top End® Preliminator™ Stock Racing Wheelchair



Product Description:

Designed for the up and coming wheelchair racer, the Invacare® Top End® Preliminator™ Racing Wheelchair offers exceptional stability and freedom to compete. The Preliminator™ Racing Wheelchair comes as a set configuration for schools, sports clubs and weekend racers or a more customized configuration for the more competitive user.

About New Smart Forms:

Top End is excited to introduce a new way to order Top End products. Our new Smart Forms provide an easy and electronic way to fill out order forms, save copies, and submit them via e-mail. Please see below for the features and useful information.

How to use:

- Use any Adobe Acrobat application to electronically fill out the order form
- Use the default selections to order a product with the most common configuration
- Use the "**Reset**" button located in the forms footer to reset selections to their defaults
- Use the "**Clear All**" button located in the forms footer to clear selections, including defaults. This feature allows for a blank order form to be printed and completed by hand
- Use the "**E-mail to Top End order box**" button located on the last page of the form to e-mail the completed form directly to the topendorders@invacare.com e-mail inbox
- Forms can be completed electronically, printed, and e-mailed or faxed to topendorders@invacare.com or 727-522-1007 if access to Acrobat Reader for Windows is unavailable

(Acrobat Reader for Windows with java-script enabled is required to save and attach to e-mail)

Features:

- Tabulated options for an organized and standardized work-flow
- New more specific option codes which will appear on confirmations to improve customer / manufacturing communication
- Common special requests have been given option codes
- Built in exclusions to help eliminate errors
- Ability to save the form after it is filled out
- Ability to e-mail the form inside Acrobat Reader rather than saving a copy and attaching to an e-mail
- Ability to clear the entire form so it can be printed and completed by hand in the field when a computer is not available
- Ability to reset form to default selections

Invacare® Top End® Preliminator™ Stock Racing Wheelchair

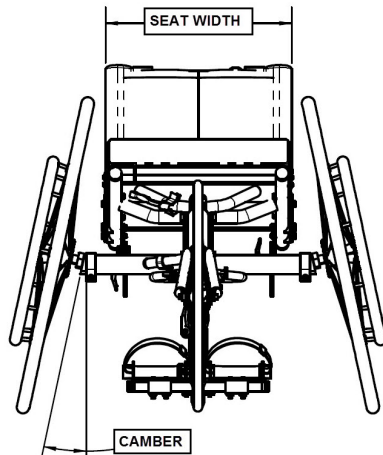


PROVIDER / CUSTOMER INFORMATION:			
Provider Information:		End User Information:	
Date:	Name:	Height:	
IVC Acct #:	Ship to Address:	Weight (lbs.):	
Contact:	Address Line 2:	Leg Length (in.):	
Phone #:	City:	Hip Width (in.):	
Fax/Email:	State:	Zip:	Phone #:
<input type="radio"/> Ship to Provider		<input type="radio"/> Ship to End User	
		Email:	
ORDER REQUEST TYPE:			
<input type="radio"/> Quote		<input type="radio"/> Order	
		PO #	<input type="text"/>

BASE MODEL:		
<input type="radio"/> 10028	Top End Preliminator Stock Model	\$2,895

Assembly: <i>(see definitions)</i>		
<input type="radio"/> 10048	Assembled	\$0
Shipping:		
Shipping Fee <i>(Continental US Only - See definitions)</i>		\$150

SIZING: <i>(see definitions for adjustable seat depths)</i> <i>(see diagram below)</i>			
SEAT WIDTH:			
<input type="radio"/> 15013	14" SW - White Snow: "Junior Varsity"	\$0	
<input type="radio"/> 15017	16" SW - Simple Red: "Varsity"	\$0	
<input type="radio"/> 15021	18" SW - Royal Blue: "Adult"	\$0	

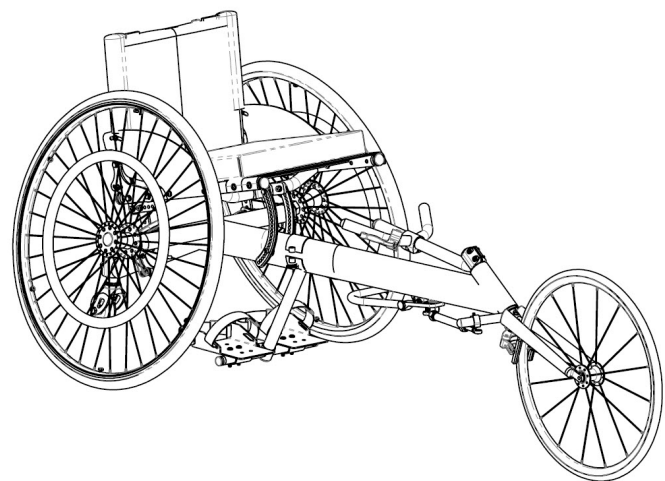


CAMBER ANGLE: <i>(see diagram above)</i>		
<input type="radio"/> 45006	12 Degree Camber	\$0

AXLES:		
<input type="radio"/> 50400	Quick Release Axles	\$0

AXLE POSITION:		
<input type="radio"/> 15243	2.75" to 5.75" Adjustable Axle Position	\$0

WHEELBASE: <i>(see definitions)</i>		
<input type="radio"/> 75086	48" Wheelbase	\$0



WHEEL SETS:

FRONT WHEEL:

<input type="radio"/> 50145	20" Metal Spoked <i>(Tubular)</i>	\$0
-----------------------------	-----------------------------------	-----

REAR WHEELS:

<input type="radio"/> 50003	26" (590) High Performance <i>(Clincher)</i>	\$0
-----------------------------	----------------------------------------------	-----

FRONT TIRE:

<input type="radio"/> 50405	20" Panaracer <i>(Tubular)</i>	\$0
-----------------------------	--------------------------------	-----

REAR TIRES:

<input type="radio"/> 50202	26" (590) Primo, Grey <i>(Clincher)</i>	\$0
-----------------------------	-----------------------------------------	-----

PUSHRIMS: *(see definitions)*

<input type="radio"/> 50404	15" Diameter Pushrims	\$0
-----------------------------	-----------------------	-----

Invacare Corporation Top End Division

All rights reserved. Trademarks are identified by the symbols ™ and ®. All trademarks are owned by or licensed to Invacare Corporation unless otherwise noted. Specifications and prices are subject to change without notification.

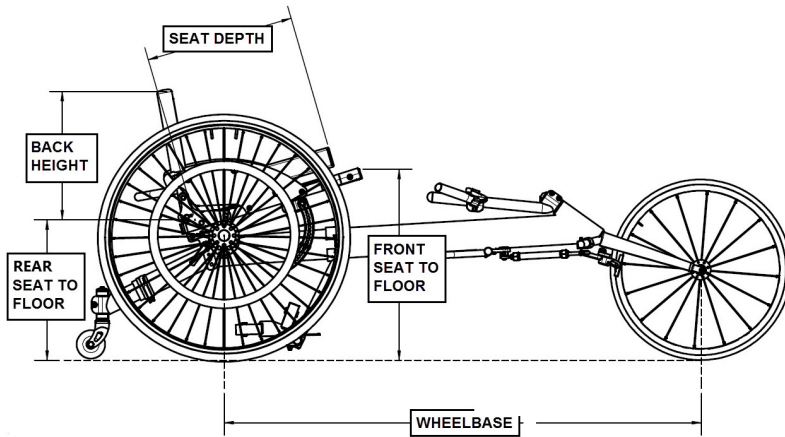
©2015 Invacare Corporation

60109307 REV C KPIPARO 11-1-2020

Invacare® Top End® Preliminary™ Stock Racing Wheelchair



SIZING: (see diagram below)		
FRONT SEAT TO FLOOR:		
<input type="radio"/> 15360	Adjustable, 17.0" - 21.0" (1/2" increments)	\$0
REAR SEAT TO FLOOR:		
<input type="radio"/> 15359	Adjustable, 13.5" - 15.0" (1/2" increments)	\$0
BACK HEIGHT:		
<input type="radio"/> 15136	Adjustable, 11.0" - 14.0" (1" increments)	\$0



STEERING:		
STEERING HANDLE:		
<input type="radio"/> 65120	Horizontal Steering Handle	\$0
TRACK CONTROL:		
<input type="radio"/> 65115	Triangle Track Control	\$0
TRACK CONTROL MOUNT:		
<input type="radio"/> 65111	Bottom Mount	\$0

FOOTREST:		
<input type="radio"/> 60070	Clamp-On Footrest, Adjustable	\$0

ANTI - TIP:		
<input type="radio"/> 20064	Telescoping, Adjustable Height Anti-Tip	\$0

SIDE GUARDS:		
<input type="radio"/> 20014	Screw-on, Aluminum Side Guards	\$0

UPHOLSTERY:		
MATERIAL & COLOR:		
<input type="radio"/> 30001	Nylon, Black Upholstery	\$0
SEAT UPHOLSTERY:		
<input type="radio"/> 30019	Screw-on Seat Upholstery	\$0
<input type="radio"/> 25060	Hook and Loop Positioning Strap	\$0
BACK UPHOLSTERY:		
<input type="radio"/> 30012	Adjustable Tension Back Upholstery	\$0
SEAT CUSHION:		
<input type="radio"/> 25063	2" Soft Seat Cushion	\$0

ACCESSORIES: (see definitions - may require self installation)

SAFETY:		
<input type="radio"/> 25073	Safety Flag and Mount	\$50
POSITIONING:		
<input type="radio"/> 25001	Click Strap, 8" Small	\$75
<input type="radio"/> 25002	Click Strap, 10" Medium	\$80
<input type="radio"/> 25003	Click Strap, 12" Large	\$90
PERFORMANCE ENHANCEMENT:		
<input type="radio"/> 25024	Cordless Computer <i>(tracks speed, distance, etc.)</i>	\$100
<input type="radio"/> 25022	Wheel Alignment Gauge	\$215
<input type="radio"/> 25076	Garmin <i>(tracks speed, distance, etc.)</i>	\$500
APPAREL:		
<input type="radio"/> 25084	Lemon Yellow T-Shirt	\$20
<input type="radio"/> 25085	Grey T-Shirt	\$20
<input type="radio"/> 25086	Grey Racer Back Tank Top	\$20
<i>Please select a size for your shirt selection:</i>		
<input type="radio"/> 25087	Extra Small	
<input type="radio"/> 25088	Small	
<input type="radio"/> 25089	Medium	
<input type="radio"/> 25090	Large	
<input type="radio"/> 25091	Extra Large	
<input type="radio"/> 25092	XX Large	
<input type="radio"/> 25093	XXX Large	

DEFINITIONS:

Assembly and Shipping:	Arrives factory assembled, rear wheels and some accessories will need to be installed. Shipping rate is \$150 for all shipments in the continental US. Freight quotes for shipments outside the continental US are available upon request.
Pushrims:	Pushrims are made of 3/4" Aluminum tubing with textured finish.
Adjustable Seat Depth:	Seat depth is adjustable by adding or removing seat depth extension strap. - For the "Junior Varsity", "Varsity" and "Adult" the seat depth is 13" and can be adjusted to 15" and 17" The adjustments are made using the removable seat depth extension straps which are included.
Wheelbase:	Measured from rear axle to front axle.
Accessories:	All Accessories are boxed separately and require self installation.

Warranty Info:

Invacare warrants the frames and forks when purchased new and unused to be free from defects in materials and workmanship for a period of two (2) years from the date of purchase from Invacare or a dealer, with a copy of the seller's invoice required for coverage under this warranty. Invacare warrants the upholstered materials (seat and back) and remaining components of this product when purchased new and unused to be free from defects in materials and workmanship for a period of thirteen (13) months from date of purchase from Invacare or a dealer, with a copy of the seller's invoice required for coverage under this warranty.