

Invacare® Top End® Eliminator™ V Cage OSR Racing Wheelchair



Custom frames may have stylistic variations. Dimensional properties and tolerances committed to by Top End are defined in the Measurement Definitions Documents, which can be found on the resource center of www.topendwheelchair.com

Product Description:

Designed for speed, the Invacare® Top End® Eliminator™ OSR racing wheelchair offers exceptional stability and aerodynamics. The Eliminator™ OSR racing wheelchair features a relaxed head tube angle for great cornering and maximum traction. Combined with the stiff aerodynamic T-frame design, precision track compensator system, integral wrap around fenders, aluminum side panels and rubber coated pushrims plus a choice of three cage styles to maximize personal performance, it is easy to see why it the choice of champions around the world. The Open V cage is Recommended for beginner level athletes with T-10 SCI and above as that level of injury requires more of a bucket. Designed for people who prefer the seated position and/or may also want to kneel. This cage does require good transfer skills.

About New Smart Forms:

Top End is excited to introduce a new way to order Top End products. Our new Smart Forms provide an easy and electronic way to fill out order forms, save copies, and submit them via e-mail. Please see below for the features and useful information. Please note that because of the many upgrades available on our Invacare® Top End® Eliminator™ OSR Wheelchair, the base price does not include wheels. The standard selections are set as the default for your convenience and the overall price will be adjusted accordingly. This will allow you to build your Invacare® Top End® Eliminator™ OSR Wheelchair exactly how you want it!

How to use:

- Use any Adobe Acrobat application to electronically fill out the order form
- Use the default selections to order a product with the most common configuration
- Use the "**Reset**" button located in the forms footer to reset selections to their defaults
- Use the "**Clear All**" button located in the forms footer to clear selections, including defaults. This feature allows for a blank order form to be printed and completed by hand
- Use the "**E-mail to Top End order box**" button located on the last page of the form to e-mail the completed form directly to the topendorders@invacare.com e-mail inbox
- Forms can be completed electronically, printed, and e-mailed or faxed to topendorders@invacare.com or 727-522-1007 if access to Acrobat Reader for Windows is unavailable

(Acrobat Reader for Windows with java-script enabled is required to save and attach to e-mail)

Features:

- Tabulated options for an organized and standardized work-flow
- New more specific option codes which will appear on confirmations to improve customer / manufacturing communication
- Common special requests have been given option codes
- Built in exclusions to help eliminate errors
- Ability to save the form after it is filled out
- Ability to e-mail the form inside Acrobat Reader rather than saving a copy and attaching to an e-mail
- Ability to clear the entire form so it can be printed and completed by hand in the field when a computer is not available
- Ability to reset form to default selections

Invacare® Top End® Eliminator™ V Cage OSR Racing Wheelchair



Custom frames may have stylistic variations. Dimensional properties and tolerances committed to by Top End are defined in the Measurement Definitions Documents, which can be found on the resource center of www.topendwheelchair.com

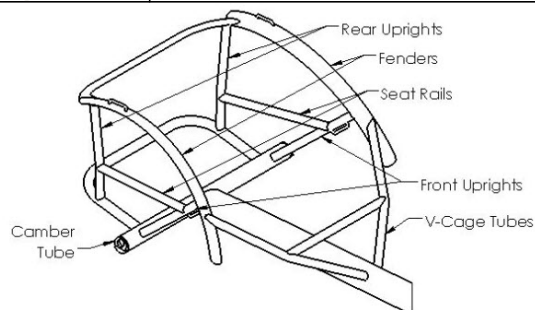
PROVIDER / CUSTOMER INFORMATION:			
Provider Information:		End User Information:	
Date:	IVC Acct #:	Name:	Height:
Contact:	Phone #:	Ship to Address:	Weight (lbs.):
Fax/Email:	State:	Address Line 2:	Leg Length (in.):
<input type="radio"/> Ship to Provider	City:	Zip:	Hip Width (in.):
<input type="radio"/> Ship to End User	Phone #:	Email:	
ORDER REQUEST TYPE:			
<input type="radio"/> Quote	<input type="radio"/> Quote and CAD	<input type="radio"/> Order	PO # <input type="text"/>

BASE MODEL: <i>(see definitions)</i>		
<input type="radio"/> 10015	Eliminator OSR - V Cage Frame <i>Note: Chair ordered without front wheel, rear wheels, front tire, rear tires, pushrims or axles starts at \$3,409</i>	\$3,699

Assembly: <i>(see definitions)</i>		
<input type="radio"/> 10046	Unassembled	\$0
<input type="radio"/> 10047	Assembled	\$250
Shipping:		
Shipping Fee <i>(Continental US Only - See definitions)</i>		\$150

FORK TYPE:		
<input type="radio"/> 65218	Aluminum Fork	\$0
<input type="radio"/> 65219	Carbon Fiber Fork <i>Only available with Bottom Mount Track Control Not available with Custom Fork Color Options</i>	\$300

FRAME OPTIONS: <i>(see definitions and diagram below)</i>		
SEAT TYPE:		
<input type="radio"/> 75013	Standard Seat Upholstery, Omit Solid Seat	
<input type="radio"/> 75010	Aluminum Solid Seat	\$0
<input type="radio"/> 75092	Carbon Solid Seat	\$250
CAMBER TUBES:		
<input type="radio"/> 75018	Standard Full Camber Tube	\$0
<input type="radio"/> 75015	2" Cut - Out Camber Tube	\$250
<input type="radio"/> 75016	3" Cut - Out Camber Tube	\$250
<input type="radio"/> 75017	4" Cut - Out Camber Tube	\$250

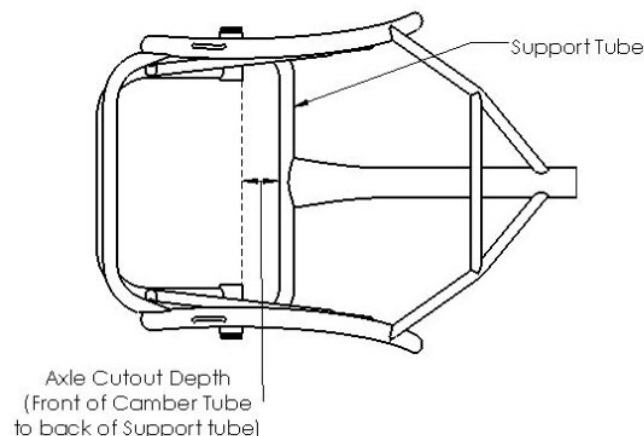
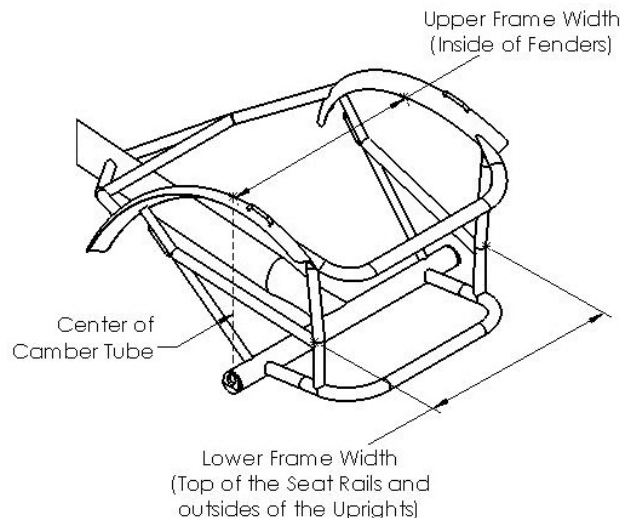


Invacare® Top End® Eliminator™ V Cage OSR Racing Wheelchair



Custom frames may have stylistic variations. Dimensional properties and tolerances committed to by Top End are defined in the Measurement Definitions Documents, which can be found on the resource center of www.topendwheelchair.com

FRAME WIDTH: <i>(see definitions and diagrams to the right)</i>			
UPPER FRAME WIDTH:			
<input type="radio"/>	15195	10.0" Upper Frame Width	\$0
<input type="radio"/>	15196	10.5" Upper Frame Width	\$0
<input type="radio"/>	15197	11.0" Upper Frame Width	\$0
<input type="radio"/>	15198	11.5" Upper Frame Width	\$0
<input type="radio"/>	15199	12.0" Upper Frame Width	\$0
<input type="radio"/>	15200	12.5" Upper Frame Width	\$0
<input type="radio"/>	15201	13.0" Upper Frame Width	\$0
<input type="radio"/>	15202	13.5" Upper Frame Width	\$0
<input type="radio"/>	15203	14.0" Upper Frame Width	\$0
<input type="radio"/>	15204	14.5" Upper Frame Width	\$0
<input type="radio"/>	15205	15.0" Upper Frame Width	\$0
<input type="radio"/>	15206	15.5" Upper Frame Width	\$0
<input type="radio"/>	15207	16.0" Upper Frame Width	\$0
<input type="radio"/>	15208	16.5" Upper Frame Width	\$0
<input type="radio"/>	15209	17.0" Upper Frame Width	\$0
<input type="radio"/>	15377	Custom Upper Frame Width <i>(See Specials Request Box)</i>	\$45
LOWER FRAME WIDTH:			
<input type="radio"/>	15217	11.0" Lower Frame Width	\$0
<input type="radio"/>	15218	11.5" Lower Frame Width	\$0
<input type="radio"/>	15219	12.0" Lower Frame Width	\$0
<input type="radio"/>	15220	12.5" Lower Frame Width	\$0
<input type="radio"/>	15221	13.0" Lower Frame Width	\$0
<input type="radio"/>	15222	13.5" Lower Frame Width	\$0
<input type="radio"/>	15223	14.0" Lower Frame Width	\$0
<input type="radio"/>	15224	14.5" Lower Frame Width	\$0
<input type="radio"/>	15225	15.0" Lower Frame Width	\$0
<input type="radio"/>	15226	15.5" Lower Frame Width	\$0
<input type="radio"/>	15227	16.0" Lower Frame Width	\$0
<input type="radio"/>	15228	16.5" Lower Frame Width	\$0
<input type="radio"/>	15229	17.0" Lower Frame Width	\$0
<input type="radio"/>	15230	17.5" Lower Frame Width	\$0
<input type="radio"/>	15231	18.0" Lower Frame Width	\$0
<input type="radio"/>	15378	Custom Lower Frame Width <i>(See Specials Request Box)</i>	\$45



Invacare® Top End® Eliminator™ V Cage OSR Racing Wheelchair

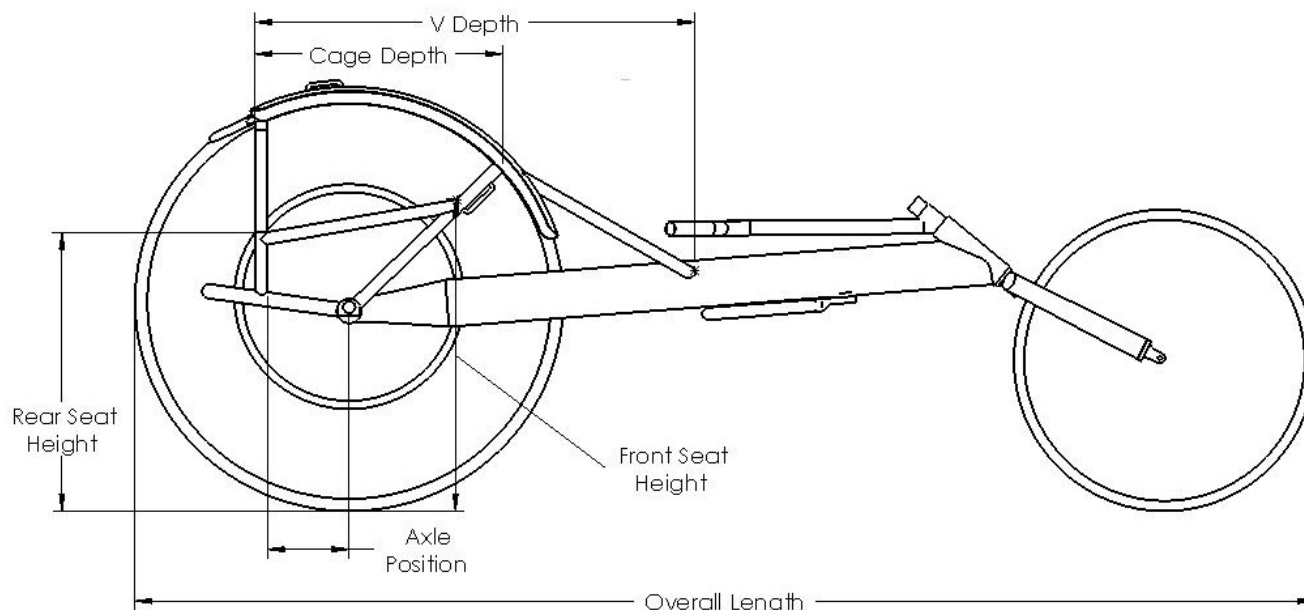


Custom frames may have stylistic variations. Dimensional properties and tolerances committed to by Top End are defined in the Measurement Definitions Documents, which can be found on the resource center of www.topendwheelchair.com

AXLE POSITION: <i>(see diagram below)</i>			
<input type="radio"/>	15236	5.0" Axle Position	\$0
<input type="radio"/>	15237	5.5" Axle Position	\$0
<input type="radio"/>	15238	6.0" Axle Position	\$0
<input type="radio"/>	15239	6.5" Axle Position	\$0
<input type="radio"/>	15240	7.0" Axle Position	\$0
<input type="radio"/>	15241	7.5" Axle Position	\$0
<input type="radio"/>	15242	8.0" Axle Position	\$0
<input type="radio"/>	15381	Custom Axle Position <i>(See Specials Request Box)</i>	\$45

SIZING: <i>(see diagram below)</i>			
OVERALL LENGTH:			
<input type="radio"/>	15245	64" Overall Length	\$0
<input type="radio"/>	15247	66" Overall Length	\$0
<input type="radio"/>	15249	68" Overall Length	\$0
<input type="radio"/>	15251	70" Overall Length	\$0
<input type="radio"/>	15253	72" Overall Length	\$0
<input type="radio"/>	15255	74" Overall Length	\$0
<input type="radio"/>	15257	76" Overall Length	\$0
<input type="radio"/>	15380	Custom Overall Length <i>(See Specials Request Box)</i>	\$45
CAGE DEPTH:			
<input type="radio"/>	15265	15.0" Cage Depth	\$0
<input type="radio"/>	15383	Custom Cage Depth <i>(See Specials Request Box)</i>	\$45
V - DEPTH:			
<input type="radio"/>	15260	24" V - Depth	\$0
<input type="radio"/>	15261	25" V - Depth	\$0
<input type="radio"/>	15262	26" V - Depth	\$0
<input type="radio"/>	15384	Custom V - Depth <i>(See Specials Request Box)</i>	\$45

SEAT HEIGHT: <i>(see definitions and diagram below)</i>			
FRONT SEAT HEIGHT:			
<input type="radio"/>	15295	16.0" Front Seat Height	\$0
<input type="radio"/>	15296	16.5" Front Seat Height	\$0
<input type="radio"/>	15297	17.0" Front Seat Height	\$0
<input type="radio"/>	15298	17.5" Front Seat Height	\$0
<input type="radio"/>	15299	18.0" Front Seat Height	\$0
<input type="radio"/>	15300	18.5" Front Seat Height	\$0
<input type="radio"/>	15301	19.0" Front Seat Height	\$0
<input type="radio"/>	15302	19.5" Front Seat Height	\$0
<input type="radio"/>	15303	20.0" Front Seat Height	\$0
<input type="radio"/>	15382	Custom Front Seat Height <i>(See Specials Request Box)</i>	\$45
REAR SEAT HEIGHT:			
<input type="radio"/>	15280	15.0" Rear Seat Height	\$0
<input type="radio"/>	15281	15.5" Rear Seat Height	\$0
<input type="radio"/>	15282	16.0" Rear Seat Height	\$0
<input type="radio"/>	15283	16.5" Rear Seat Height	\$0
<input type="radio"/>	15284	17.0" Rear Seat Height	\$0
<input type="radio"/>	15285	17.5" Rear Seat Height	\$0
<input type="radio"/>	15286	18.0" Rear Seat Height	\$0
<input type="radio"/>	15287	18.5" Rear Seat Height	\$0
<input type="radio"/>	15288	19.0" Rear Seat Height	\$0
<input type="radio"/>	15289	19.5" Rear Seat Height	\$0
<input type="radio"/>	15290	20.0" Rear Seat Height	\$0
<input type="radio"/>	15379	Custom Rear Seat Height <i>(See Specials Request Box)</i>	\$45

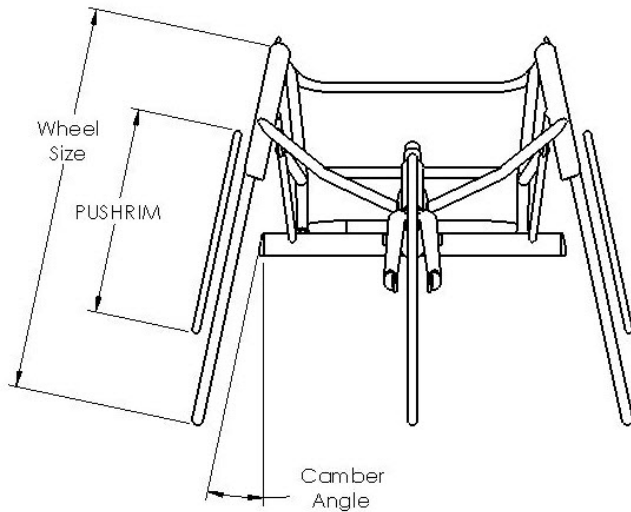


Invacare® Top End® Eliminator™ V Cage OSR Racing Wheelchair



Custom frames may have stylistic variations. Dimensional properties and tolerances committed to by Top End are defined in the Measurement Definitions Documents, which can be found on the resource center of www.topendwheelchair.com

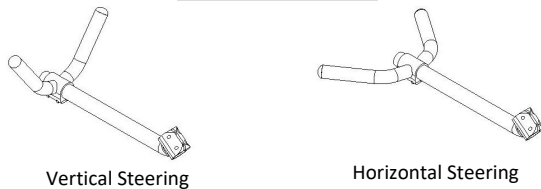
CAMBER ANGLE: (see definitions and diagram below)			
<input type="radio"/>	45005	11 Degree Camber	\$0
<input type="radio"/>	45006	12 Degree Camber	\$0
<input type="radio"/>	45007	13 Degree Camber	\$0
<input type="radio"/>	45008	15 Degree Camber	\$0



WHEEL SETS: (see definitions and diagram to the left)			
FRONT WHEEL TYPE:			
<input type="radio"/>	50150	Omit Front Wheel Build for 20"	-\$30 (credit)
<input type="radio"/>	50145	20" Metal Spoked	\$0
<input type="radio"/>	50146	20" Corima Carbon Fiber	\$600
REAR WHEEL TYPE:			
<input type="radio"/>	50153	Omit Rear Wheels & Axles, Build for 700C	-\$100 (credit)
<input type="radio"/>	50152	Omit Rear Wheels & Axles, Build for 26"	-\$100 (credit)
<input type="radio"/>	50143	High Performance, 700C (Clincher)	\$0
<input type="radio"/>	50139	High Performance, 26" (Clincher)	\$100
<input type="radio"/>	50147	Corima Carbon Fiber Disc, 700C (Tubular)	\$2,495
<input type="radio"/>	50148	Corima Carbon Fiber 4 Spoke, 700C (Tubular)	\$2,495
FRONT TIRE TYPE:			
<input type="radio"/>	50157	Omit Front Tire	-\$20 (credit)
<input type="radio"/>	50464	20" Vittoria	\$0
<input type="radio"/>	50463	20" Panaracer	\$50
REAR TIRE TYPE:			
<input type="radio"/>	50164	Omit Rear Tires	-\$20 (credit)
<input type="radio"/>	50236	26" Panaracer (Clincher - 23mm)	\$0
<input type="radio"/>	50460	700C, Black (Clincher - 19mm)	\$0
<input type="radio"/>	50241	700C Continental Sprinter (Tubular - 22mm)	\$70
<input type="radio"/>	50461	700C Panaracer Rapide (Tubular - 20mm)	\$75
<input type="radio"/>	50462	700C Continental Podium (Tubular - 22mm)	\$115

STEERING: (see diagrams below)			
STEERING HANDLE TYPE:			
<input type="radio"/>	65120	Horizontal Steering Handle	\$0
<input type="radio"/>	65121	Vertical Steering Handle	\$0
TRACK CONTROL:			
<input type="radio"/>	65115	Triangle Track Control	\$0
<input type="radio"/>	65116	Oval Track Control	\$0
TRACK CONTROL MOUNT:			
<input type="radio"/>	65110	Top Mount Track Control	\$0
<input type="radio"/>	65111	Bottom Mount Track Control	\$0

STEERING HANDLES:



TRACK CONTROL:



PUSHRIMS: (Size Selection Required - see diagram)			
RUBBER COATED PUSHRIM SIZE: (Diameter)			
<input type="radio"/>	50341	Omit Pushrims	-\$120 (credit)
<input type="radio"/>	50330	12.0" Diameter Pushrims	\$0
<input type="radio"/>	50331	12.5" Diameter Pushrims	\$0
<input type="radio"/>	50332	13.0" Diameter Pushrims	\$0
<input type="radio"/>	50333	13.5" Diameter Pushrims	\$0
<input type="radio"/>	50334	14.0" Diameter Pushrims	\$0
<input type="radio"/>	50335	14.5" Diameter Pushrims	\$0
<input type="radio"/>	50336	15.0" Diameter Pushrims	\$0
<input type="radio"/>	50337	15.5" Diameter Pushrims	\$0
<input type="radio"/>	50338	16.0" Diameter Pushrims	\$0
<input type="radio"/>	50339	16.5" Diameter Pushrims	\$0
<input type="radio"/>	50340	Custom Pushrim Size (See Specials Request Box)	\$45

Invacare® Top End® Eliminator™ V Cage OSR Racing Wheelchair



Custom frames may have stylistic variations. Dimensional properties and tolerances committed to by Top End are defined in the Measurement Definitions Documents, which can be found on the resource center of www.topendwheelchair.com

UPHOLSTERY:		
MATERIAL & COLOR:		
<input type="radio"/>	30001 Nylon, Black Upholstery	\$0
BACK UPHOLSTERY STYLE:		
<input type="radio"/>	30028 Adjustable Tension Back Upholstery	\$0
SEAT UPHOLSTERY:		
<input type="radio"/>	30016 6" Seat Upholstery Length	\$0
<input type="radio"/>	30017 9" Amputee Seat Upholstery Length	\$0
SEAT CUSHIONS:		
<input type="radio"/>	30018 Soft Seat Cushion	\$39

ACCESSORIES:		
SAFETY:		
<input type="radio"/>	25015 Safety Light, Front (White)	\$15
<input type="radio"/>	25016 Safety Light, Rear (Red)	\$15
<input type="radio"/>	25018 Helmet, Small/Medium	\$30
<input type="radio"/>	25019 Helmet, Medium/Large	\$30
<input type="radio"/>	25073 Safety Flag and Mount	\$50
POSITIONING:		
<input type="radio"/>	25001 Click Strap, 8" Small	\$75
<input type="radio"/>	25002 Click Strap, 10" Medium	\$80
<input type="radio"/>	25003 Click Strap, 12" Large	\$90
<input type="radio"/>	60014 Clamp-On Footrest, Adjustable	\$250
PERFORMANCE ENHANCEMENT:		
<input type="radio"/>	25024 Cordless Computer	\$100
<input type="radio"/>	25022 Wheel Alignment Gauge	\$215
TRAINING:		
<i>Indoor training roller available but sold and shipped separately.</i>		
<input type="radio"/>	25033 Heart Rate Monitor	\$95
<input type="radio"/>	25076 Garmin Computer/Heart Rate Monitor	\$500
BAGS:		
<input type="radio"/>	25031 Wheel Bag	\$215
APPAREL:		
<input type="radio"/>	25084 Lemon Yellow Top End T-Shirt	\$20
<input type="radio"/>	25085 Grey Top End T-Shirt	\$20
<input type="radio"/>	25086 Grey Top End Racer Back Tank Top	\$20
<i>Please select a size for your shirt selection:</i>		
<input type="radio"/>	25087 Extra Small	
<input type="radio"/>	25088 Small	
<input type="radio"/>	25089 Medium	
<input type="radio"/>	25090 Large	
<input type="radio"/>	25091 Extra Large	
<input type="radio"/>	25092 XX Large	
<input type="radio"/>	25093 XXX Large	

COLOR OPTIONS:				
FRAME COLOR:				
<input type="radio"/>	55018	Black	Wet Black	\$0
<input type="radio"/>	55019	Black	Black Prism	\$0
<input type="radio"/>	55017	Black	Stealth Black	\$0
<input type="radio"/>	55010	Blue	Midnight Blue	\$0
<input type="radio"/>	55011	Blue	Royal Blue	\$0
<input type="radio"/>	55012	Blue	Electric Blueberry	\$0
<input type="radio"/>	55023	Grey	Stealth Grey	\$0
<input type="radio"/>	55053	Green	Agriculture Green	\$0
<input type="radio"/>	55008	Green	Grasshopper Green	\$0
<input type="radio"/>	55054	Green	Neon Green	\$0
<input type="radio"/>	55006	Orange	Sunkissed Orange	\$0
<input type="radio"/>	55005	Orange	Simple Orange	\$0
<input type="radio"/>	55051	Orange	Neon Orange	\$0
<input type="radio"/>	55015	Pink	Bubblegum Pink	\$0
<input type="radio"/>	55057	Pink	Neon Pink	\$0
<input type="radio"/>	55055	Purple	Lilac Purple	\$0
<input type="radio"/>	55001	Red	Simple Red	\$0
<input type="radio"/>	55002	Red	Tangerine Red	\$0
<input type="radio"/>	55003	Red	Raspberry Red	\$0
<input type="radio"/>	55050	Red	Neon Red	\$0
<input type="radio"/>	55020	Silver	Silver Metallic	\$0
<input type="radio"/>	55016	White	White Snow	\$0
<input type="radio"/>	55007	Yellow	Safety Yellow	\$0
<input type="radio"/>	55052	Yellow	Neon Yellow	\$0
<input type="radio"/>	55066	Raw	Buffed Aluminum	\$350
FORK COLOR:				
<input type="radio"/>	55068	Black	Flat Black	\$0
<input type="radio"/>	55041	Black	Wet Black	\$100
<input type="radio"/>	55042	Black	Black Prism	\$100
<input type="radio"/>	55040	Black	Stealth Black	\$100
<input type="radio"/>	55033	Blue	Midnight Blue	\$100
<input type="radio"/>	55034	Blue	Royal Blue	\$100
<input type="radio"/>	55035	Blue	Electric Blueberry	\$100
<input type="radio"/>	55046	Grey	Stealth Grey	\$100
<input type="radio"/>	55061	Green	Agriculture Green	\$100
<input type="radio"/>	55031	Green	Grasshopper Green	\$100
<input type="radio"/>	55062	Green	Neon Green	\$100
<input type="radio"/>	55029	Orange	Sunkissed Orange	\$100
<input type="radio"/>	55028	Orange	Simple Orange	\$100
<input type="radio"/>	55059	Orange	Neon Orange	\$100
<input type="radio"/>	55038	Pink	Bubblegum Pink	\$100
<input type="radio"/>	55065	Pink	Neon Pink	\$100
<input type="radio"/>	55063	Purple	Lilac Purple	\$100
<input type="radio"/>	55024	Red	Simple Red	\$100
<input type="radio"/>	55025	Red	Tangerine Red	\$100
<input type="radio"/>	55026	Red	Raspberry Red	\$100
<input type="radio"/>	55058	Red	Neon Red	\$100
<input type="radio"/>	55043	Silver	Silver Metallic	\$100
<input type="radio"/>	55039	White	White Snow	\$100
<input type="radio"/>	55030	Yellow	Safety Yellow	\$100
<input type="radio"/>	55060	Yellow	Neon Yellow	\$100
<input type="radio"/>	55077	N/A	Carbon Fiber Fork Chosen	\$0

Invacare® Top End® Eliminator™ V Cage OSR Racing Wheelchair



Custom frames may have stylistic variations. Dimensional properties and tolerances committed to by Top End are defined in the Measurement Definitions Documents, which can be found on the resource center of www.topendwheelchair.com

DEFINITIONS:	
Assembled vs Unassembled:	If TE10046 (Unassembled) is selected the chair will require about 60 minutes of assembly upon delivery (instructions provided). If TE10047 (Assembled) is selected the chair will be fully assembled upon delivery. Shipping rate is \$150 for all shipments in the continental US. Freight quotes for shipments outside the continental US are available upon request.
Open V Cage:	Recommended for beginner level athletes with T-10 SCI and above as that level of injury requires more of a bucket type seat. Designed for people who prefer the seated position and/or may also want to kneel. This cage does require good transfer skills.
U Cage:	Recommended for experienced customers who exclusively use the kneeling position. Customers tend to have good balance and are T-10 injury level or below. U cage includes an aluminum knee plate for extra rigidity.
I Cage:	I Cage is the easiest transfer style to use but cannot be converted to a kneeling position. This style is typically used by higher level injury athletes who sit in the traditional feet forward position with an adjustable fixed style footrest.
Aluminum Solid Seat:	Provides a solid surface. Not recommended if customers intend to adjust the seat upholstery.
Carbon Fiber Solid Seat:	Provides a solid Carbon fiber surface. Not recommended if customers intend to adjust the seat upholstery.
Cut Out Camber Tube:	The distance from the front of the cut Camber Tube to the back of the support tube. Recommended when a customer who desires a kneeling position requires additional space for their lower legs. This additional space is accomplished by removing the center portion of the camber tube after welding. Creates more room for legs with low seat heights.
Camber Angle:	Angle of the wheels. Measured from vertical to the angle of the rear tire on one side.
Upper Frame Width:	Measured directly above the center of the Camber Tube, between the insides of the Fenders. Maximum width is 17".
Lower Frame Width:	Measured at the top of the Seat Rail and from the outside of the Uprights. Maximum width is 18".
Rear Seat Height:	Measured from the top of the Seat Rail to the ground.
Overall Length:	Measured from the further most outsides of the front & rear tires.
Axle Position:	Measured from the center of the Camber Tube to the front of the rear Upright. (This needs to be parallel to the ground.)
Knee Height:	Measured from the top of the U-Cage Horizontal Cross Member to the ground.
Knee Depth:	Measured from the back of the Rear Upright to the front of the U-Cage Cross member. (This needs to be parallel to the ground.)
Knee Width:	Measured between the inside of the U-Cage vertical tubing.
Wheel Size:	Eliminator OSR Racing wheelchairs use 700c and 26" size wheels with threaded axles. A standard threaded axle 700c metal spoke wheel with inflated black primo tire measures 26-1/2" +/- 1/8" from outside to outside of the tire. A standard threaded axle 26" metal spoke wheel with inflated Panaracer tire measures 24-1/2" +/- 1/8" from outside to outside of the tire.
Pushrim Size:	Measurement from outside to outside of the metal tubing of the pushrim.

PRODUCT SPECIFICATIONS:	
Weight Capacity:	250 pounds, 113 Kilograms
Approximate Chair Weight:	21 pounds, 9.5 Kilograms
Approximate Box Weight:	37 pounds, 17 Kilograms
Box Dimensions:	77" X 27" X 23"

NOTES:	
Tubular Tires:	A tubular tire (or sew-up) is a bicycle tire that is stitched closed around the inner tube to form a torus. The combination is then glued onto the wheel.
Clincher Tires:	A clincher tire uses a separate airtight inner tube enclosed by the rim which supports the tire carcass and maintains the bead lock. An advantage of this system is that the inner tube can be easily accessed in the case of a leak to be patched or replaced.
Front Tire:	Vittoria tire has a thicker tread pattern and is great for training and racing.
Rear Tire Options:	- 700c Continental Sprinter tires are great for racing and training - 700c Continental Podium are thinner lighter, better for racing
Fenders:	Fenders are made to accommodate a tire that is up to 25mm.
Omit Wheels:	When omit wheels is selected, product will not come with wheels, tires, tubes, pushrims or axles.

Warranty Info:

Invacare warrants the frames and forks when purchased new and unused to be free from defects in materials and workmanship for a period of two (2) years from the date of purchase from Invacare or a dealer, with a copy of the seller's invoice required for coverage under this warranty. Invacare warrants the upholstered materials (seat and back) and remaining components of this product when purchased new and unused to be free from defects in materials and workmanship for a period of thirteen (13) months from date of purchase from Invacare or a dealer, with a copy of the seller's invoice required for coverage under this warranty

Note: All special requests are subject to approval, additional charges, and additional lead time.

Special Request 1)	
Special Request 2)	
Special Request 3)	
Special Request 4)	
Special Request 5)	