

# Invacare® Top End® Eliminator™ NRG Racing Wheelchair



## Product Description:

The NRG Racer is an elite racing chair, designed specifically for adaptive racing athletes seeking to be at the top of the podium. It features a hybrid design of advanced carbon fiber technology and a custom fit with enhanced aerodynamics, providing a lightweight and stiff frame with a sharp, responsive ride. Top End NRG offers an unsurpassed ride quality- introducing Top End's next generation of adaptive sporting equipment.

## About New Smart Forms:

Top End is excited to introduce a new way to order Top End products. Our new Smart Forms provide an easy and electronic way to fill out order forms, save copies, and submit them via e-mail. Please see below for the features and useful information. Please note that because of the many upgrades available on our Invacare® Top End® Eliminator™ NRG, the base price does not include wheels or components. The standard selections are set as the default for your convenience and the overall price will be adjusted accordingly. This will allow you to build your Invacare® Top End® Eliminator™ NRG Racing Chair exactly how you want it!

### How to use:

- Use any Adobe Acrobat application to electronically fill out the order form
- Use the default selections to order a product with the most common configuration
- Use the "**Reset**" button located in the forms footer to reset selections to their defaults
- Use the "**Clear All**" button located in the forms footer to clear selections, including defaults. This feature allows for a blank order form to be printed and completed by hand
- Use the "**E-mail to Top End order box**" button located on the last page of the form to e-mail the completed form directly to the [topendorders@invacare.com](mailto:topendorders@invacare.com) e-mail inbox
- Forms can be completed electronically, printed, and e-mailed or faxed to [topendorders@invacare.com](mailto:topendorders@invacare.com) or 727-522-1007 if access to Acrobat Reader for Windows is unavailable

*(Acrobat Reader for Windows with java-script enabled is required to save and attach to e-mail)*

### Features:

- Tabulated options for an organized and standardized work-flow
- New more specific option codes which will appear on confirmations to improve customer / manufacturing communication
- Common special requests have been given option codes
- Built in exclusions to help eliminate errors
- Ability to save the form after it is filled out
- Ability to e-mail the form inside Acrobat Reader rather than saving a copy and attaching to an e-mail
- Ability to clear the entire form so it can be printed and completed by hand in the field when a computer is not available
- Ability to reset form to default selections

# Invacare® Top End® Eliminator™ NRG Racing Wheelchair



PROVIDER / CUSTOMER INFORMATION:			
Provider Information:		End User Information:	
Date:	Name:	Height:	
IVC Acct #:	Ship to Address:	Weight (lbs.):	
Contact:	Address Line 2:	Leg Length (in.):	
Phone #:	City:	Hip Width (in.):	
Fax/Email:	State:	Zip:	Phone #:
<input type="radio"/> Ship to Provider		<input type="radio"/> Ship to End User	
		Email:	
ORDER REQUEST TYPE:			
<input type="radio"/> Quote		<input type="radio"/> Quote and CAD	
<input type="radio"/> Order		PO # <input type="text"/>	

BASE MODEL - FRAME: <i>(see definitions)</i>		
<input type="radio"/> 10034	Eliminator NRG Racing Wheelchair U-Cage <i>Note: Chair ordered without front wheel, rear wheels, front tire, rear tires, pushrims or axles starts at \$7,510</i>	\$7,800

Assembly: <i>(see definitions)</i>		
<input type="radio"/> 10046	Unassembled	\$0
<input type="radio"/> 10047	Assembled	\$250
Shipping:		
Shipping Fee <i>(Continental US Only - See definitions)</i>		\$150

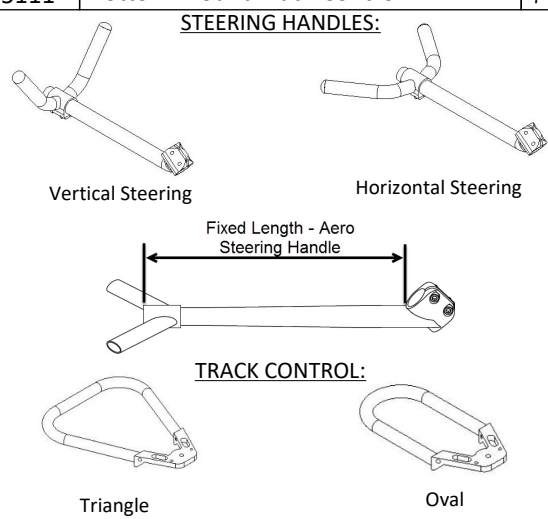
STEERING: <i>(see definitions and diagram below)</i>		
STEERING HANDLE:		
<input type="radio"/> 65120	Horizontal Steering Handle	\$0
<input type="radio"/> 65121	Vertical Steering Handle	\$0
<input type="radio"/> 65122	Aero Fixed Length Steering Handle: 9.5" Royal Blue	\$125
<input type="radio"/> 65123	Aero Fixed Length Steering Handle: Royal Blue Custom Length <i>See Special Requests</i>	\$150
TRACK CONTROL:		
<input type="radio"/> 65115	Triangle Track Control	\$0
<input type="radio"/> 65116	Oval Track Control	\$0
TRACK CONTROL MOUNTING:		
<input type="radio"/> 65111	Bottom Mount Track Control	\$0



BRAKE MOUNTING:		
<input type="radio"/> 65225	Main Steering Tube	\$0
<input type="radio"/> 65226	Steering Handle	\$0

SEAT FRAMES: <i>(see definitions)</i>		
<input type="radio"/> 75013	Standard Seat Upholstery, Omit Solid Seat	\$0
<input type="radio"/> 75010	Aluminum Solid Seat	\$75
<input type="radio"/> 75092	Carbon Solid Seat	\$250

BUMPER WIDTH: <i>(see definitions)</i>		
<input type="radio"/> 75011	Bumper Width, 7"	\$0
<input type="radio"/> 75012	Bumper Width: Custom <i>See Special Requests</i>	\$45



# Invacare® Top End® Eliminator™ NRG Racing Wheelchair



**U-CAGE SIZING:** (the difference in the Upper Frame Width and the Lower Frame Width must NOT exceed 3.0") (see definitions and diagram below)

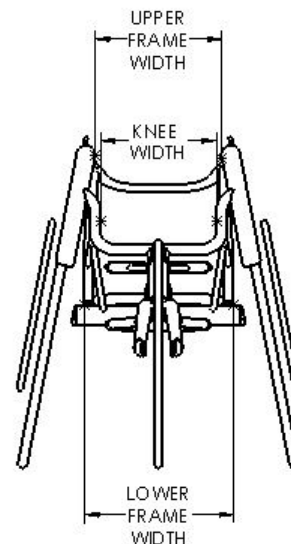
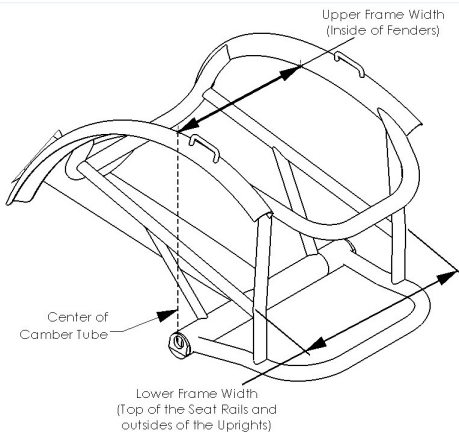
UPPER FRAME WIDTH:			
<input type="radio"/>	15361	9.0" (22.9 cm) Upper Frame Width	\$0
<input type="radio"/>	15362	9.5" (24.1 cm) Upper Frame Width	\$0
<input type="radio"/>	15195	10.0" (25.4 cm) Upper Frame Width	\$0
<input type="radio"/>	15196	10.5" (26.7 cm) Upper Frame Width	\$0
<input type="radio"/>	15197	11.0" (27.9 cm) Upper Frame Width	\$0
<input type="radio"/>	15198	11.5" (29.2 cm) Upper Frame Width	\$0
<input type="radio"/>	15199	12.0" (30.5 cm) Upper Frame Width	\$0
<input type="radio"/>	15200	12.5" (31.8 cm) Upper Frame Width	\$0
<input type="radio"/>	15201	13.0" (33.0 cm) Upper Frame Width	\$0
<input type="radio"/>	15202	13.5" (34.3 cm) Upper Frame Width	\$0
<input type="radio"/>	15203	14.0" (35.6 cm) Upper Frame Width	\$0
<input type="radio"/>	15204	14.5" (36.8 cm) Upper Frame Width	\$0
<input type="radio"/>	15205	15.0" (38.1 cm) Upper Frame Width	\$0
<input type="radio"/>	15377	Custom Upper Frame Width <i>See Specials Request Box</i>	\$45
LOWER FRAME WIDTH:			
<input type="radio"/>	15363	9.0" (22.9 cm) Lower Frame Width	\$0
<input type="radio"/>	15364	9.5" (24.1 cm) Lower Frame Width	\$0
<input type="radio"/>	15365	10.0" (25.4 cm) Lower Frame Width	\$0
<input type="radio"/>	15366	10.5" (26.7 cm) Lower Frame Width	\$0
<input type="radio"/>	15217	11.0" (27.9 cm) Lower Frame Width	\$0
<input type="radio"/>	15218	11.5" (29.2 cm) Lower Frame Width	\$0
<input type="radio"/>	15219	12.0" (30.5 cm) Lower Frame Width	\$0
<input type="radio"/>	15220	12.5" (31.8 cm) Lower Frame Width	\$0
<input type="radio"/>	15221	13.0" (33.0 cm) Lower Frame Width	\$0
<input type="radio"/>	15222	13.5" (34.3 cm) Lower Frame Width	\$0
<input type="radio"/>	15223	14.0" (35.6 cm) Lower Frame Width	\$0
<input type="radio"/>	15224	14.5" (36.8 cm) Lower Frame Width	\$0
<input type="radio"/>	15225	15.0" (38.1 cm) Lower Frame Width	\$0
<input type="radio"/>	15226	15.5" (39.4 cm) Lower Frame Width	\$0
<input type="radio"/>	15227	16.0" (40.6 cm) Lower Frame Width	\$0
<input type="radio"/>	15228	16.5" (41.9 cm) Lower Frame Width	\$0
<input type="radio"/>	15229	17.0" (43.2 cm) Lower Frame Width	\$0
<input type="radio"/>	15378	Custom Lower Frame Width <i>See Specials Request Box</i>	\$45

**U-CAGE SIZING:** (see definitions and diagram below)

KNEE HEIGHT:			
<input type="radio"/>	15368	15.5" (39.4 cm) Knee Height	\$0
<input type="radio"/>	15305	16.0" (40.6 cm) Knee Height	\$0
<input type="radio"/>	15310	16.5" (41.9 cm) Knee Height	\$0
<input type="radio"/>	15306	17.0" (43.2 cm) Knee Height	\$0
<input type="radio"/>	15311	17.5" (44.5 cm) Knee Height	\$0
<input type="radio"/>	15307	18.0" (45.7 cm) Knee Height	\$0
<input type="radio"/>	15312	18.5" (47.0 cm) Knee Height	\$0
<input type="radio"/>	15308	19.0" (48.3 cm) Knee Height	\$0
<input type="radio"/>	15313	19.5" (49.5 cm) Knee Height	\$0
<input type="radio"/>	15309	20.0" (50.8 cm) Knee Height	\$0
<input type="radio"/>	15386	Custom Knee Height <i>See Specials Request Box</i>	\$45

**KNEE WIDTH:** (see definitions and diagram below)  
*Note: Upper Frame Width must be at least 2" Larger than Knee Width*

<input type="radio"/>	15315	7.0" (17.8 cm) Knee Width	\$0
<input type="radio"/>	15316	7.5" (19.1 cm) Knee Width	\$0
<input type="radio"/>	15317	8.0" (20.3 cm) Knee Width	\$0
<input type="radio"/>	15318	8.5" (21.6 cm) Knee Width	\$0
<input type="radio"/>	15319	9.0" (22.9 cm) Knee Width	\$0
<input type="radio"/>	15320	9.5" (24.1 cm) Knee Width	\$0
<input type="radio"/>	15321	10.0" (25.4 cm) Knee Width	\$0
<input type="radio"/>	15322	10.5" (26.7 cm) Knee Width	\$0
<input type="radio"/>	15323	11.0" (27.9 cm) Knee Width	\$0
<input type="radio"/>	15324	11.5" (29.2 cm) Knee Width	\$0
<input type="radio"/>	15325	12.0" (30.5 cm) Knee Width	\$0
<input type="radio"/>	15388	Custom Knee Width <i>See Specials Request Box</i>	\$45

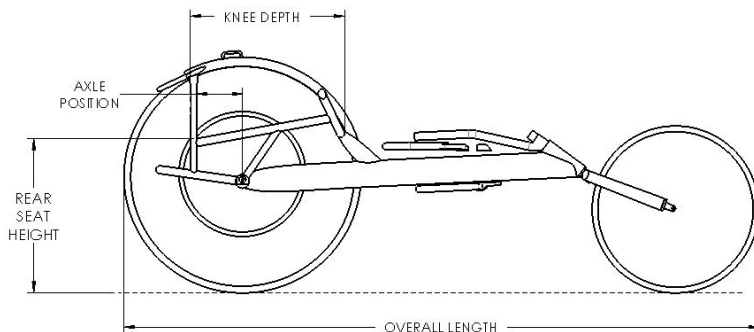


# Invacare® Top End® Eliminator™ NRG Racing Wheelchair

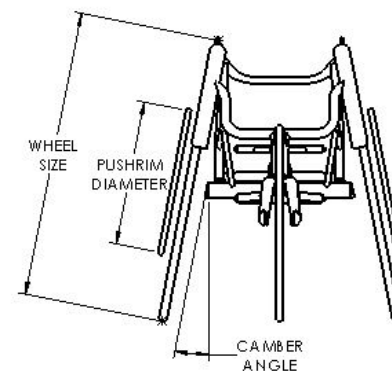


U-CAGE SIZING: (see diagram below)			
<b>KNEE DEPTH:</b>			
<input type="radio"/>	15373	16" (40.6 cm) Knee Depth	\$0
<input type="radio"/>	15374	17" (43.2 cm) Knee Depth	\$0
<input type="radio"/>	15275	18" (45.7 cm) Knee Depth	\$0
<input type="radio"/>	15375	19" (48.3 cm) Knee Depth	\$0
<input type="radio"/>	15376	20" (50.8 cm) Knee Depth	\$0
<input type="radio"/>	15387	Custom Knee Depth <i>See Specials Request Box</i>	\$45
<b>REAR SEAT HEIGHT:</b>			
<input type="radio"/>	15280	15.0" (38.1 cm) Rear Seat Height	\$0
<input type="radio"/>	15281	15.5" (39.4 cm) Rear Seat Height	\$0
<input type="radio"/>	15282	16.0" (40.6 cm) Rear Seat Height	\$0
<input type="radio"/>	15283	16.5" (41.9 cm) Rear Seat Height	\$0
<input type="radio"/>	15284	17.0" (43.2 cm) Rear Seat Height	\$0
<input type="radio"/>	15285	17.5" (44.5 cm) Rear Seat Height	\$0
<input type="radio"/>	15286	18.0" (45.7 cm) Rear Seat Height	\$0
<input type="radio"/>	15287	18.5" (47.0 cm) Rear Seat Height	\$0
<input type="radio"/>	15288	19.0" (48.3 cm) Rear Seat Height	\$0
<input type="radio"/>	15379	Custom Rear Seat Height <i>See Specials Request Box</i>	\$45
<b>OVERALL LENGTH:</b>			
<input type="radio"/>	15251	70" (178 cm) Overall Length	\$0
<input type="radio"/>	15255	74" (188 cm) Overall Length	\$0

AXLE POSITIONS: (see diagram below)			
<input type="radio"/>	15236	5.0" (12.7 cm) Axle Position	\$0
<input type="radio"/>	15237	5.5" (14.0 cm) Axle Position	\$0
<input type="radio"/>	15238	6.0" (15.2 cm) Axle Position	\$0
<input type="radio"/>	15239	6.5" (16.5 cm) Axle Position	\$0
<input type="radio"/>	15240	7.0" (17.8 cm) Axle Position	\$0
<input type="radio"/>	15241	7.5" (19.0 cm) Axle Position	\$0
<input type="radio"/>	15242	8.0" (20.3 cm) Axle Position	\$0
<input type="radio"/>	15381	Custom Axle Position <i>See Specials Request Box</i>	\$45



CAMBER ANGLE: (see diagram to the right)			
<input type="radio"/>	45005	11 Degree Camber	\$0
<input type="radio"/>	45006	12 Degree Camber	\$0
<input type="radio"/>	45007	13 Degree Camber	\$0



WHEEL SETS: (see definitions and diagram below)			
<b>FRONT WHEEL TYPE:</b>			
<input type="radio"/>	50150	Omit Front Wheel Build for 20"	-\$30 <i>(credit)</i>
<input type="radio"/>	50145	20" Metal Spoked	\$0
<input type="radio"/>	50146	20" Corima Carbon Fiber	\$600
<b>REAR WHEEL TYPE:</b>			
<input type="radio"/>	50153	Omit Rear Wheels & Axles, Build for 700C	-\$100 <i>(credit)</i>
<input type="radio"/>	50143	700C High Performance ( <i>Clincher</i> )	\$0
<input type="radio"/>	50147	700C Corima Carbon Fiber Disc ( <i>Tubular</i> )	\$2,495
<input type="radio"/>	50148	700C Corima Carbon Fiber 4 Spoke ( <i>Tubular</i> )	\$2,495
<b>FRONT TIRE TYPE:</b>			
<input type="radio"/>	50157	Omit Front Tire	-\$20 <i>(credit)</i>
<input type="radio"/>	50464	20" Vittoria	\$0
<input type="radio"/>	50463	20" Panaracer	\$50
<b>REAR TIRE TYPE:</b>			
<input type="radio"/>	50164	Omit Rear Tires	-\$20 <i>(credit)</i>
<input type="radio"/>	50460	700C, Black ( <i>Clincher - 19mm</i> )	\$0
<input type="radio"/>	50241	700C Continental Sprinter ( <i>Tubular - 22mm</i> )	\$70
<input type="radio"/>	50461	700C Panaracer Rapide ( <i>Tubular - 20mm</i> )	\$75
<input type="radio"/>	50462	700C Continental Podium ( <i>Tubular - 22mm</i> )	\$115

PUSHRIMS: (Size Selection Required - see diagram below)			
<b>RUBBER COATED PUSHRIM SIZE: (Diameter)</b>			
<input type="radio"/>	50341	Omit Pushrims	-\$120 <i>(credit)</i>
<input type="radio"/>	50330	12.0" Diameter Pushrims	\$0
<input type="radio"/>	50331	12.5" Diameter Pushrims	\$0
<input type="radio"/>	50332	13.0" Diameter Pushrims	\$0
<input type="radio"/>	50333	13.5" Diameter Pushrims	\$0
<input type="radio"/>	50334	14.0" Diameter Pushrims	\$0
<input type="radio"/>	50335	14.5" Diameter Pushrims	\$0
<input type="radio"/>	50336	15.0" Diameter Pushrims	\$0
<input type="radio"/>	50337	15.5" Diameter Pushrims	\$0
<input type="radio"/>	50338	16.0" Diameter Pushrims	\$0
<input type="radio"/>	50340	Custom Pushrim Size <i>(See Specials Request Box)</i>	\$45

# Invacare® Top End® Eliminator™ NRG Racing Wheelchair



UPHOLSTERY:		
MATERIAL & COLOR:		
<input type="radio"/> 30001	Nylon, Black Upholstery	\$0
BACK UPHOLSTERY:		
<input type="radio"/> 30028	Adjustable Tension Back Upholstery	\$0
SEAT UPHOLSTERY:		
<input type="radio"/> 30016	6" Seat Upholstery Length	\$0
<input type="radio"/> 30017	9" Seat Upholstery Length	\$0
SEAT CUSHION:		
<input type="radio"/> 30018	Seat Cushion	\$39

FRAME COLOR:			
<input type="radio"/> 55048	Black	Stealth Black	\$0

ACCESSORIES: <i>(Accessories may not be installed - see definitions)</i>		
UPGRADABLE:		
POSITIONING/SAFETY:		
<input type="radio"/> 25073	Safety Flag and Holder	\$50
<input type="radio"/> 25059	Click Strap , 8" Small <i>(see definitions)</i>	\$75
MAINTINANCE:		
<input type="radio"/> 25022	Wheel Alignment Gauge	\$215
BAGS:		
<input type="radio"/> 25031	Wheel bag	\$215
TRAINING:		
<input type="radio"/> 25076	Garmin 520 Computer/Heart Rate Monitor	\$500
APPAREL:		
<input type="radio"/> 25084	Lemon Yellow Top End T-Shirt	\$20
<input type="radio"/> 25085	Grey Top End T-Shirt	\$20
<input type="radio"/> 25086	Grey Top End Racer Back Tank Top	\$20
<i>Please select a size for your shirt selection:</i>		
<input type="radio"/> 25087	Extra Small	
<input type="radio"/> 25088	Small	
<input type="radio"/> 25089	Medium	
<input type="radio"/> 25090	Large	
<input type="radio"/> 25091	Extra Large	
<input type="radio"/> 25092	XX Large	
<input type="radio"/> 25093	XXX Large	

Note: All Special requests are subject to approval, additional charges, and additional lead time

Special Request 1)	
Special Request 2)	
Special Request 3)	
Special Request 4)	
Special Request 5)	

# Invacare® Top End® Eliminator™ NRG Racing Wheelchair



DEFINITIONS:	
<b>Frame/Cage:</b>	Frame is made of carbon fiber and cage is made out of 6061 aluminum. The cage style is a U-cage.
<b>Assembled vs Unassembled:</b>	If TE10046 (Unassembled) is selected the chair will require about 60 minutes of assembly upon delivery (instructions provided). If TE10047 (Assembled) is selected the chair will be fully assembled upon delivery. Shipping rate is \$150 for all shipments in the continental US. Freight quotes for shipments outside the continental US are available upon request.
<b>Bumper Width:</b>	Bumper width is measured from inside to inside.
<b>Camber Angle:</b>	Measured from vertical to the angle of the rear tire on one side. Also stamped on the bushing.
<b>Aero Fixed Steering:</b>	Fixed steering handle is lightweight at just 202 grams (100 grams lighter than the adjustable handle), the design increases aerodynamics and stiffness. Handle is Royal Blue and 9.5" long standard with custom length and additional colors available upon request.
<b>Solid Seat:</b>	The solid seat provides a solid seating surface. Not recommended if customers intend to adjust the seat upholstery. Available in carbon fiber or aluminum.
<b>Upper Frame Width:</b>	Measured directly above the center of the camber tube between the insides of the fenders. The difference is the Upper Frame Width and Lower Frame Width must NOT exceed 3".
<b>Lower Frame Width:</b>	Measured directly above the center of the camber tube between the insides of the fenders. The difference is the Upper Frame Width and Lower Frame Width must NOT exceed 3".
<b>Rear Seat Height:</b>	The rear seat height is measured from the top of the seat rail to the ground at the front of the rear upright.
<b>Overall Length:</b>	Overall length is measured from the outside of the front tire to the outside of the rear tires at the furthest points.
<b>Axle Position:</b>	Axle Position (or Center of Gravity) is measured from the center of the camber tube to the front of the rear upright. The measurement must be taken parallel to the ground.
<b>Knee Height:</b>	Knee Height is measured from the top of the U-cage horizontal cross-member to the ground.
<b>Knee Depth:</b>	Knee Depth is measured from the back of the rear upright to the front of the U-cage cross-member. The measurement must be taken parallel to the ground.
<b>Knee Width:</b>	Knee width is measured between the inside of the U-cage vertical tubing.
<b>Wheel Size:</b>	The Eliminator NRG Racing Wheelchair is only available with 700c rear wheels. Tires must be the same Clincher/Tubular type as wheels selected.
<b>Upgradable Accessories:</b>	All Add-on options and accessories are boxed separately and may require self installation. Additionally, upgrade options and accessories may ship separately.
<b>Click Strap:</b>	Single 8" click strap pad with attaching hardware for installation to fenders. This strap is in addition to the back upholstery.
<b>Seat Cushion:</b>	2 inch cushion consisting of 1 inch hard foam and 1 inch soft foam.

PRODUCT SPECIFICATIONS:	
<b>Carbon Main Frame:</b>	We created our fastest, lightest, and most responsive ride for racers. Increased tensile strength and modulus gives racers a smooth ride and controlled handling.
<b>Super Light Carbon Fork:</b>	200 grams full carbon with a more aerodynamic design- which flows into the headtube creating cleaner lines.
<b>Modular Custom Seat Cage:</b>	This hybrid tailor fit cage, gives the racer the ability to fine tune his or her positioning to put the power to the ground.
<b>Fenders with Side Panels:</b>	Carbon fiber integrated and built to accommodate oversized tires.
<b>Field Tested:</b>	During the 15+ months of field testing by top racers, the NRG won the LA marathon and broke 2 world records.
<b>World Class Manufacturing:</b>	Lab tested at 1 million+ cycles, surpassing all of our previous designs.
<b>Unsurpassed Ride Quality:</b>	From our field testers- Smooth ride, controlled road vibration and amazing power transfer.
<b>Next Generation Compensator:</b>	This new and improved racing compensator has a better turning radius with zero-play confidence.
<b>TT Style Brake:</b>	The multi- position brake lever, with cabling routed externally, can be positioned any where on the steering handle.
<b>Pushrim Size:</b>	Measurement from outside to outside of the metal tubing of the pushrim.
<b>Omit Wheels:</b>	When Omit Wheels is selected, product will not come with wheels, tires, tubes, pushrims or axles.

### Warranty Info:

Invacare warrants the frames and forks when purchased new and unused to be free from defects in materials and workmanship for a period of two (2) years from the date of purchase from Invacare or a dealer, with a copy of the seller's invoice required for coverage under this warranty. Invacare warrants the upholstered materials (seat and back) and remaining components of this product when purchased new and unused to be free from defects in materials and workmanship for a period of thirteen (13) months from date of purchase from Invacare or a dealer, with a copy of the seller's invoice required for coverage under this warranty.